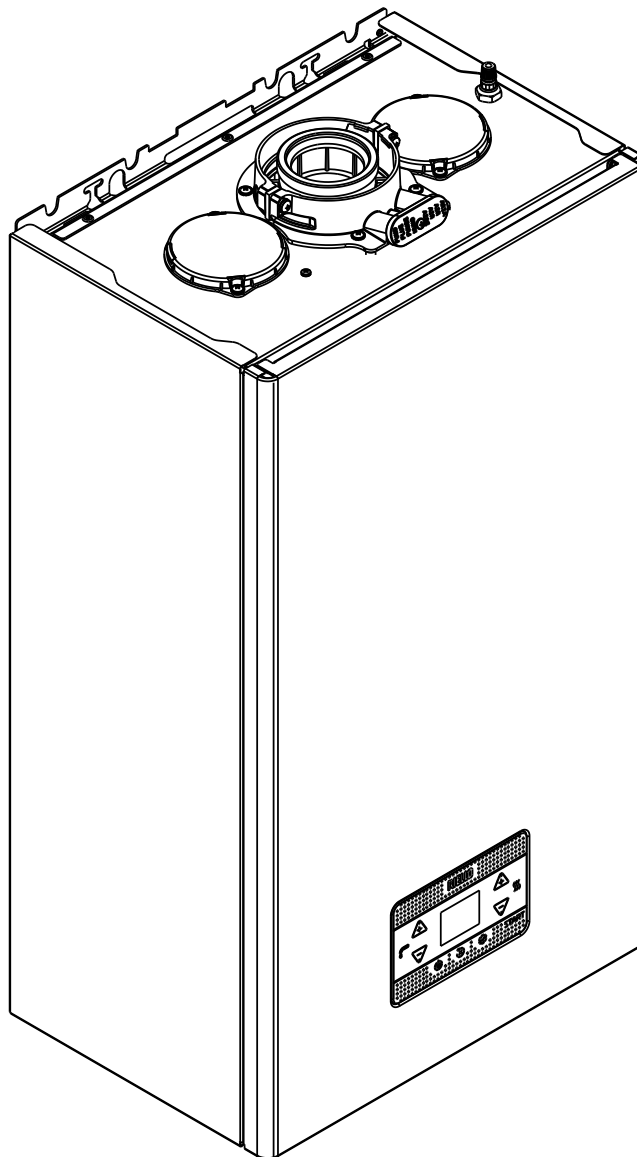
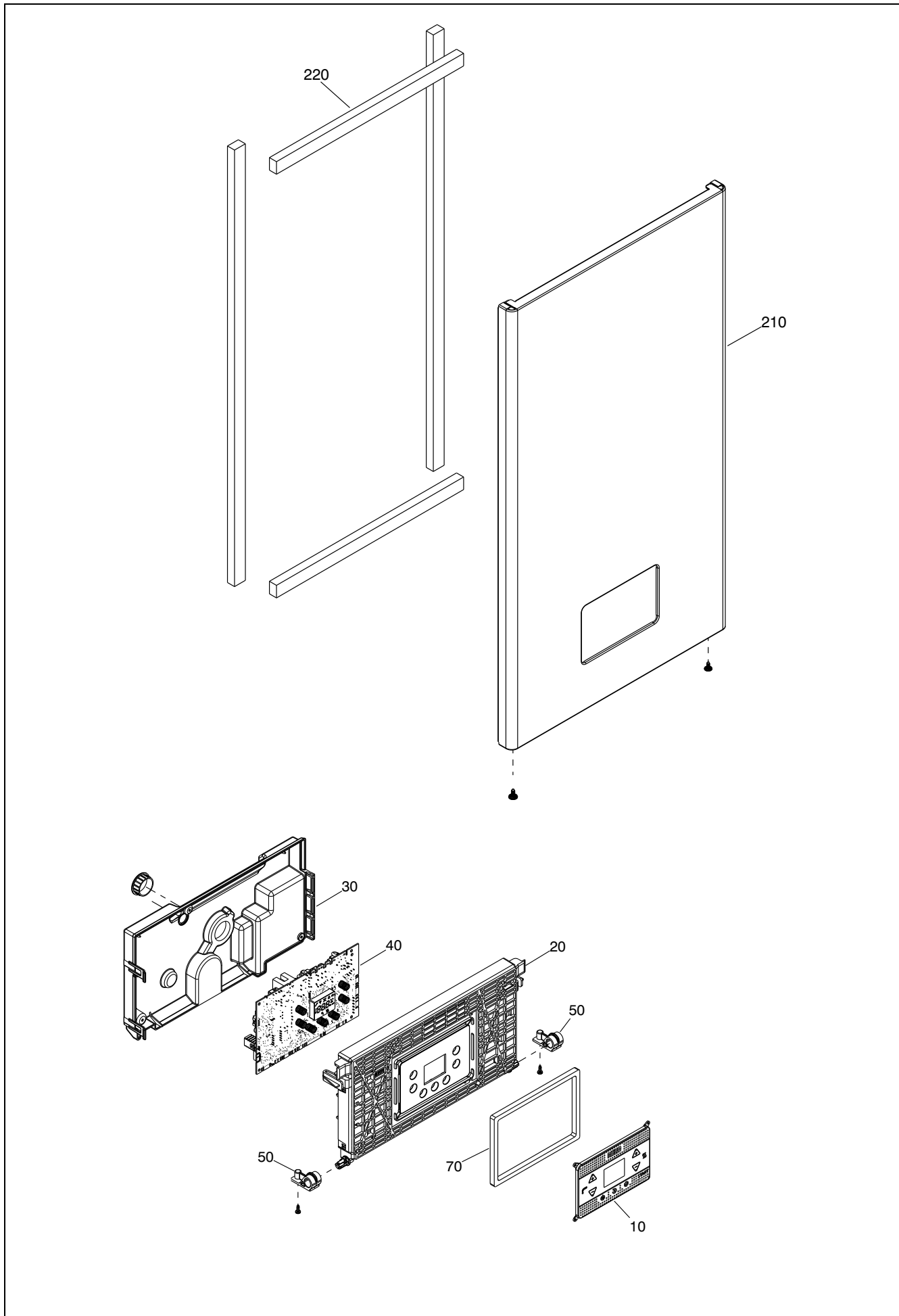


Wall hung boilers

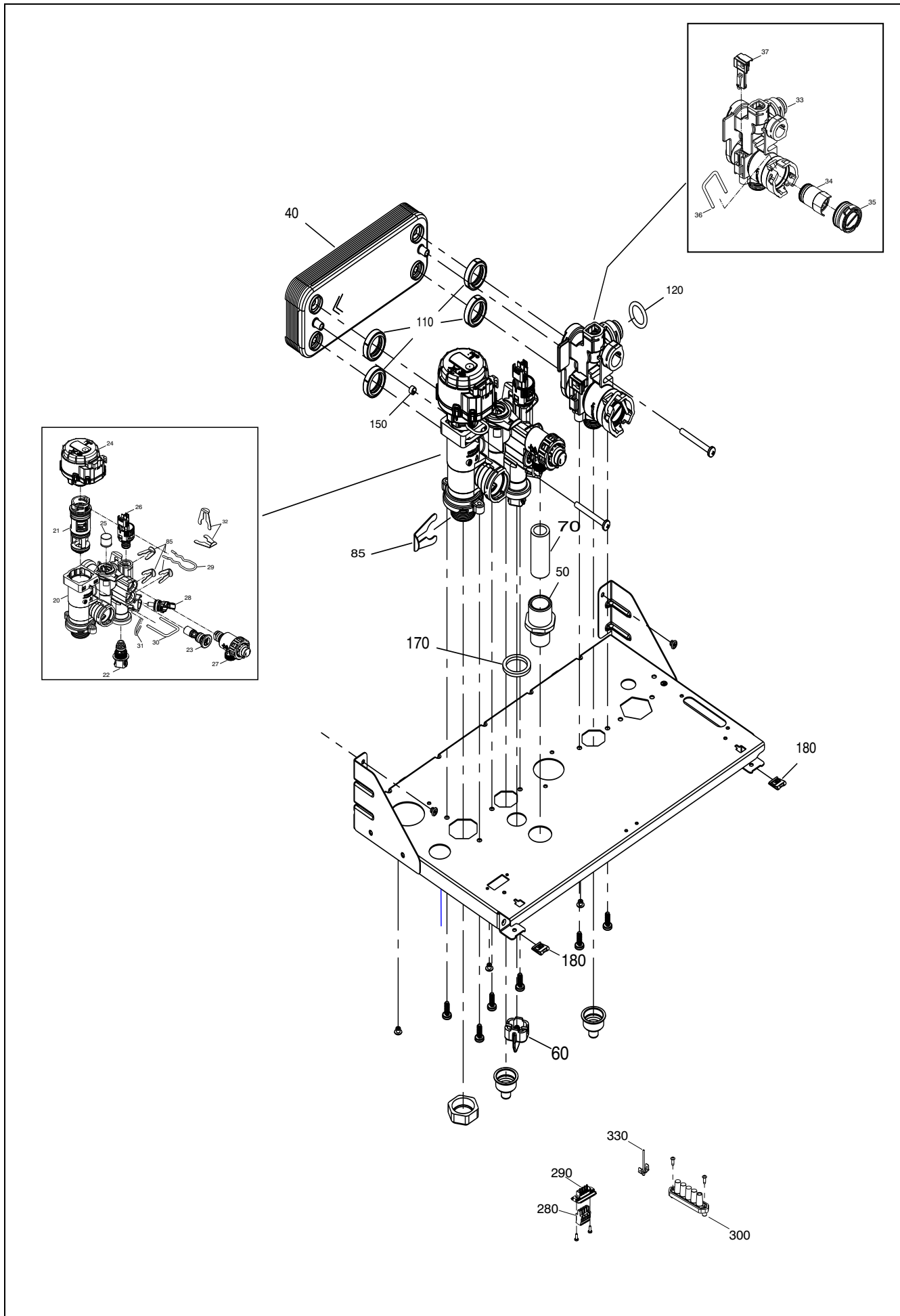
START 30 KIS



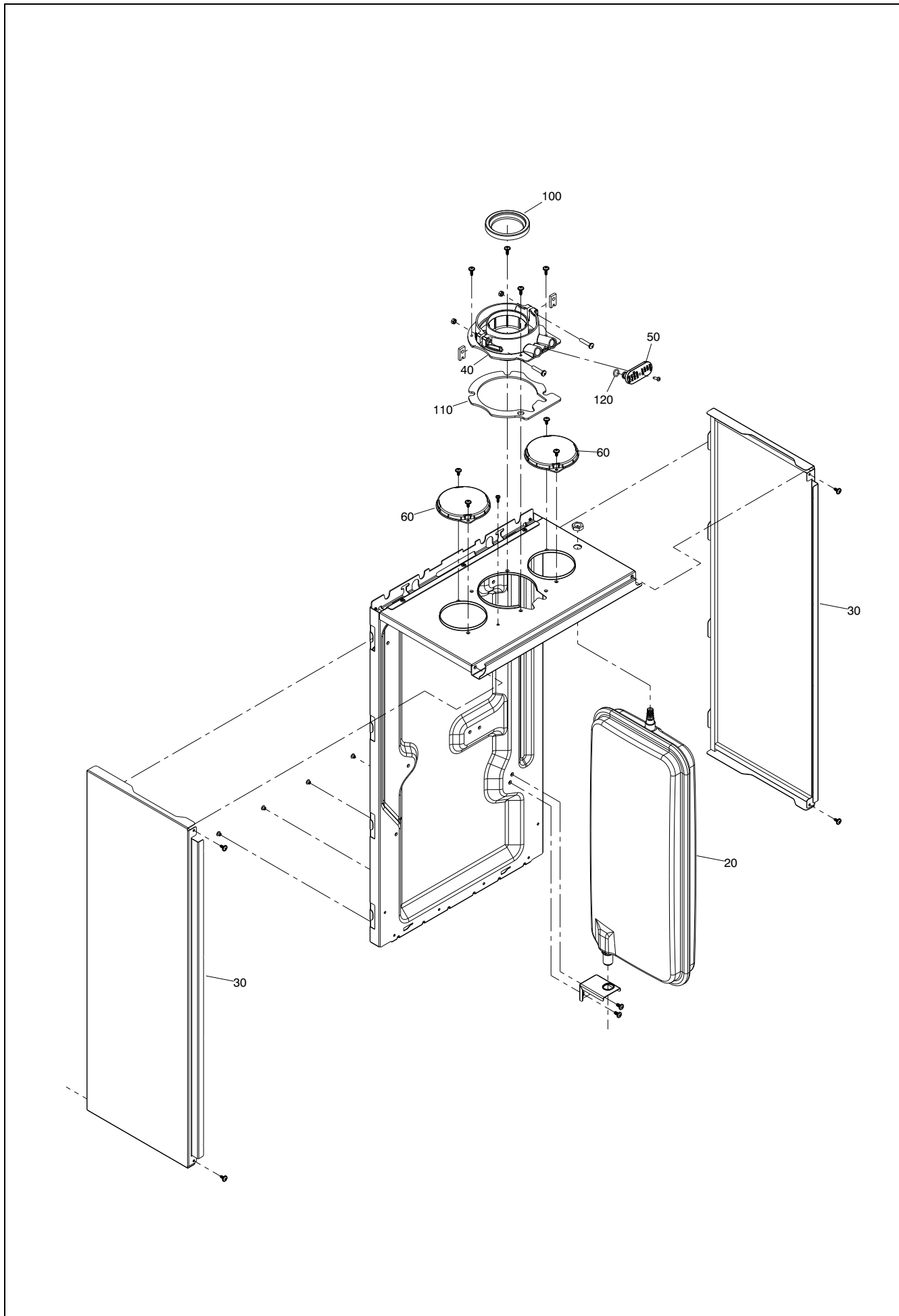
MODEL	PART NUMBER	
	MTN	GPL
Start 30 Kis	20187407	



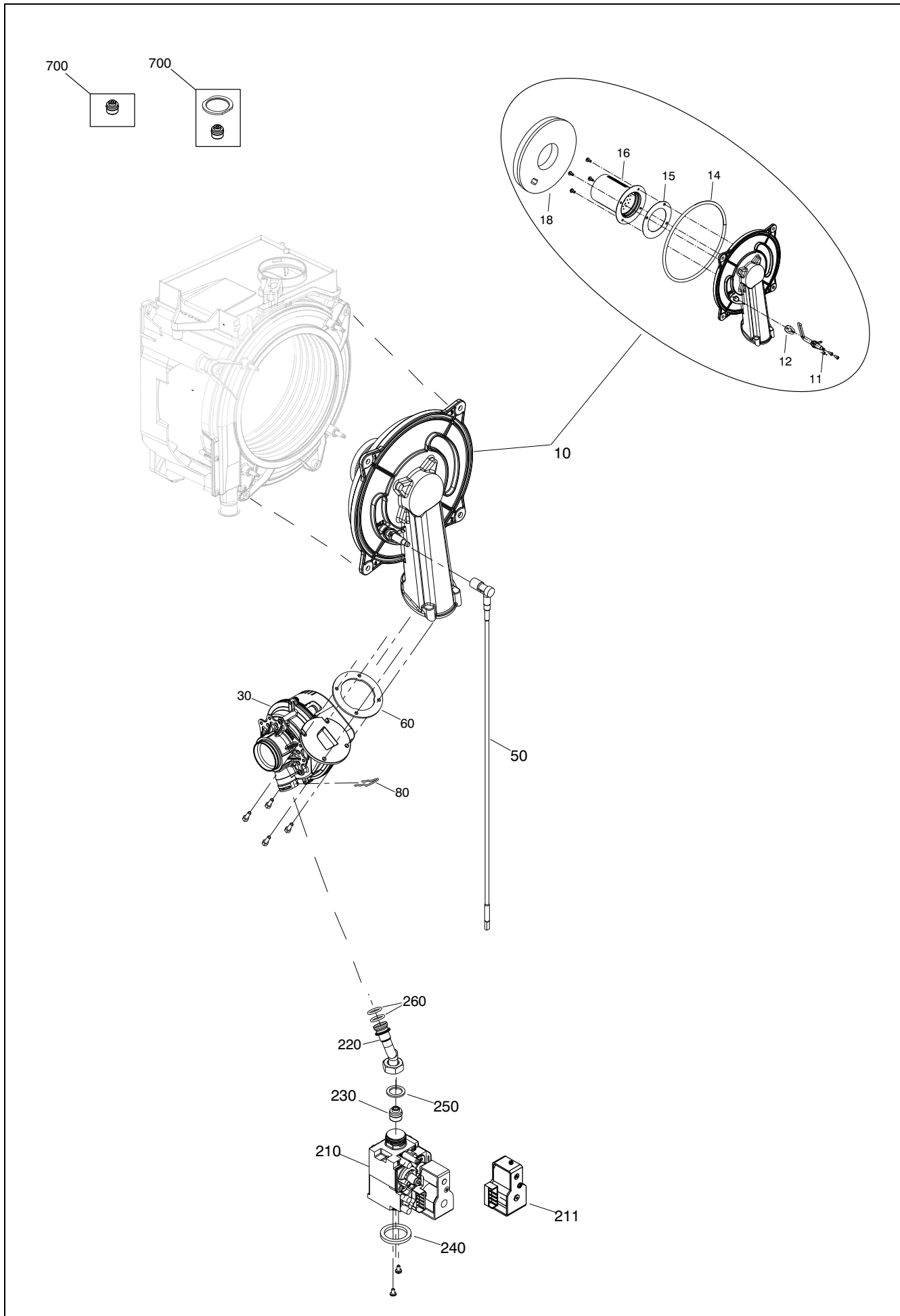
POS.	DESCRIPTION	30
10	Interface	4R109808
20	Control panel	4R109793
30	Electric parts cover	4R109817
40	Printed circuit board	4R109664
50	Hinge	4R109795
70	Washer	4R109818
210	Case Assembly	4R109790
220	Seal assembly	4R109791



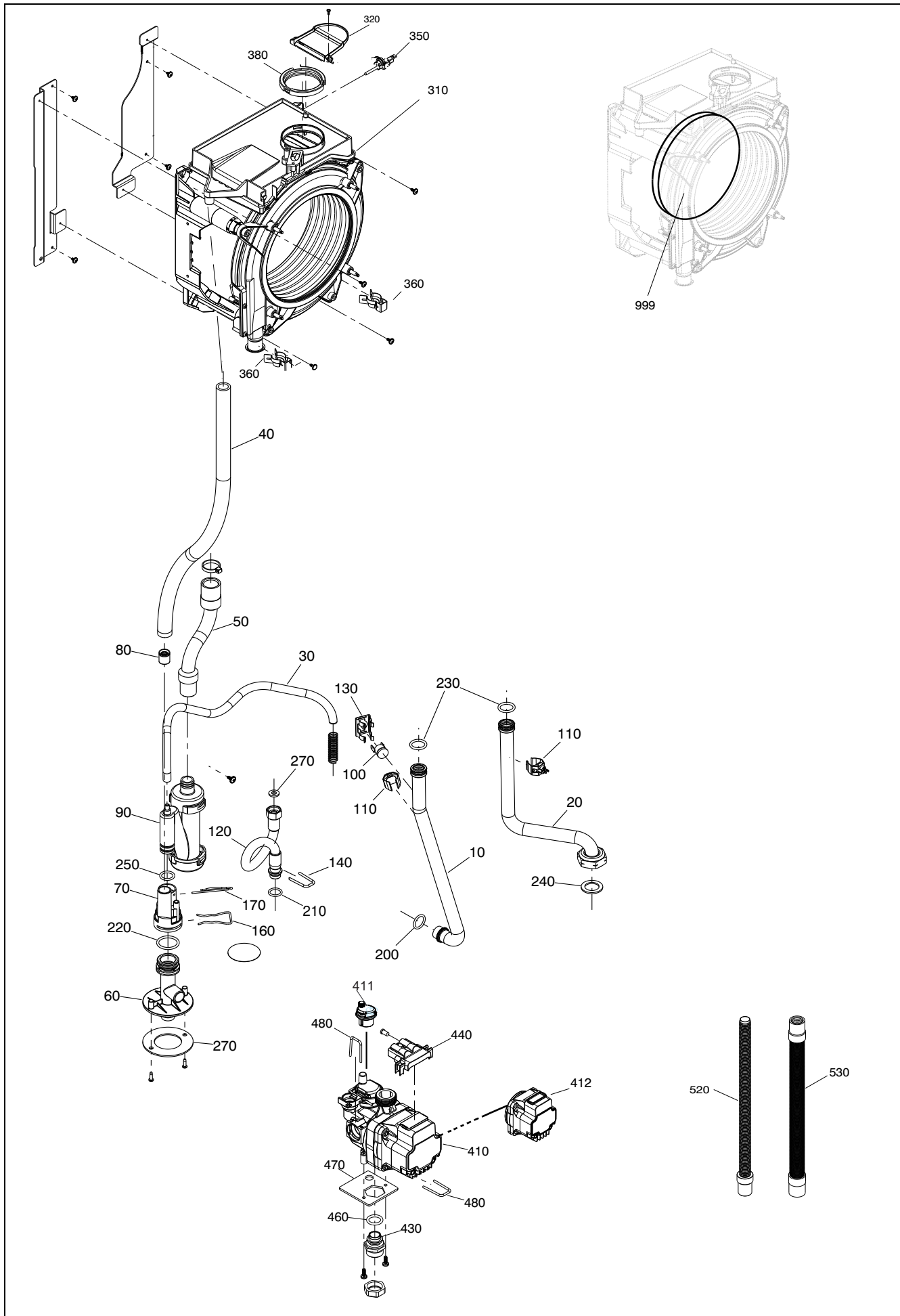
POS.	DESCRIPTION	25
20	Hydraulic connection	4R109819
21	Cartridge	4R109820
22	Filling cock and washer	4R109821
23	Non-return valve	4R109822
24	Actuator	4R109823
25	By-pass valve	20196690
26	Pressure transducer	4R109825
27	Safety valve	4R109826
28	Temperature detector	4R109829
29	Clip	4R109895
30	Clip	4R109896
31	Clip	4R109897
32	Clip	4R109828
33	Modulator	4R109830
34	Cartridge	4R109898
35	Hole cover	4R109832
36	Clip	4R109833
37	Printed circuit board	4R109834
40	Heat exchanger	4R109899
50	Manifold	4R105487
60	Knob	4R109807
70	Silicon pipe	4R109836
85	Clip	4R109123
90	Clip	4R109123
110	Washer	4365767
120	Washer	4R109837
150	Spacer	4R109800
170	Washer	4R109808
180	Clip	4363594
280	4-pin connector	4R107480
290	4-pin connector	4R109838
300	Five positions fairlead	4R105529
330	Ground rivet	4R107122



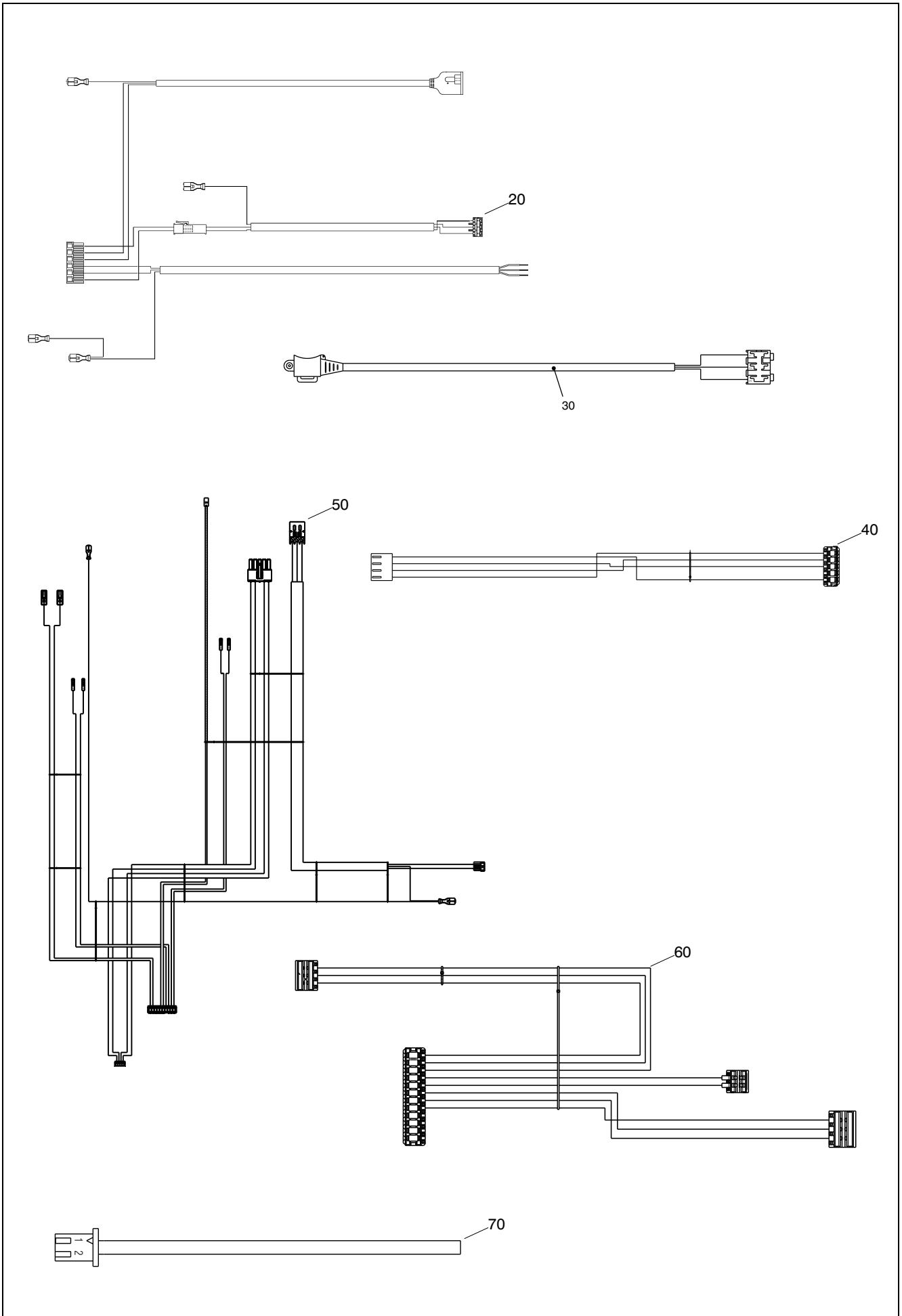
POS.	DESCRIPTION	25
20	Expansion tank	4R109796
30	Side panel	4R109913
40	Fumes flange	4R109792
50	Cap smoke analysis	4R101989
60	Hole cover	4366888
100	Gasket fan	4R109910
110	Flange gasket	4R109796
120	O-ring	4364959



POS.	DESCRIPTION	30
10	Conveyor	4R109944
11	Ignition electrode	4R105488
12	Electrode seal	4R107482
14	Insulation panel	4R109840
15	Burner seal	4R109841
16	Premix burner	4R109900
18	Burner seal	4R109843
30	Fan (\leq PR27R004322)	4R109901
30	Electric fan (\geq PR27R004323)	20201581
50	Spark electrode cable	4R109814
60	Washer	4365897
80	Clip	4365764
210	Gas valve	4R000835
211	Gas valve solenoid	4R000824
220	Pipe (\leq PR27R004322)	4R109805
220	Pipe (\geq PR27R004323)	20201930
230	Gas diaphragm 5.1 (\leq PR27R004322)	4364829
230	gas diaphragm (\geq PR27R004323)	4R109845
240	Gasket	4R105534
250	Washer	4363389
260	Washer	4367112
700	Ng conversion kit (\leq PR27R004322)	4R103860
700	Ng conversion kit (\geq PR27R004323)	4R109849
700	G230 Conversion kit (\leq PR27R004322)	4R109907
700	G230 Conversion kit (\geq PR27R004323)	20202054
700	LPG conversion kit (\leq PR27R004322)	4R109904
700	LPG conversion kit (\geq PR27R004323)	20085731



POS.	DESCRIPTION	30
10	Pipe	4R109812
20	Pipe	4R109801
30	Tube kit	4R108420
40	Silicone pipe	4R109673
50	Condensing pipe	4R109811
60	Bracket	4R109852
70	Condensation outlet (drainage) manifold	4R109851
80	Non return valve	4R109675
90	Siphon	4R109674
100	High limit thermostat	4366881
110	Temperature detector	4R109854
120	Pipe	4R109868
130	Clip	4363608
140	Clip	4R109857
160	Clip	4365407
170	Clip	4364962
200	O ring	4366880
210	O ring	4R109146
220	O ring	4365860
230	O ring	4R106930
240	Washer	4364809
250	O-Ring	4R105704
260	Washer	4R109676
270	Washer	4363390
310	Condensing exchanger	4R109813
320	Rain coat for exchanger	4R105486
350	Flue sensor	4R105463
360	Spring pipe	4366958
380	Washer Ø 60	4366238
410	Pump 6 mt.	4R109858
411	Air vent bottle	4R108878
412	Motor	4R109916
430	connector	4R109859
440	Cover	4R109551
460	Washer	4R109837
470	Washer	4R109861
480	Clip	4R109833
520	Pipe	4365759
530	Condensation outlet tube	4R102771
999	Retarder insulating panel	4R107776



POS.	DESCRIPTION	30
20	Power wiring harness	4R109863
30	Hydraulic control cable	4R109917
40	Bus wiring harness	4R109864
50	Combustion cable	4R109865
60	Low tension cable	4R109866
70	Wiring harness	4R109867

Rev	Data	Descrizione
1.0	12/07/2022	E00120220256: ventilatore e rampa

RIELLO

Riello reserve the right to change the specifications without prior notice.
Consumers' statutory rights are not affected.